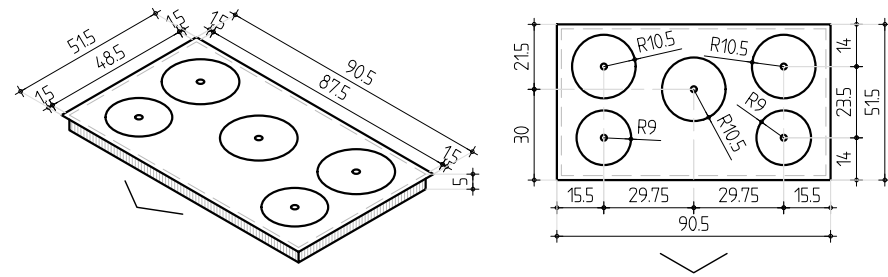
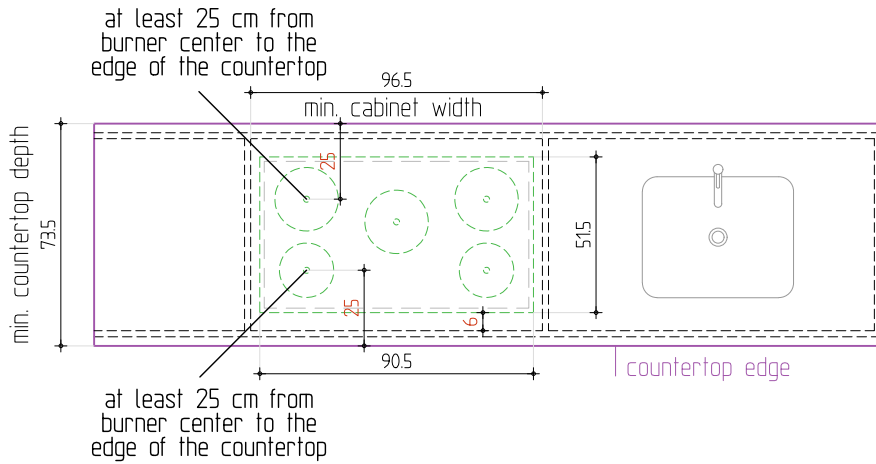
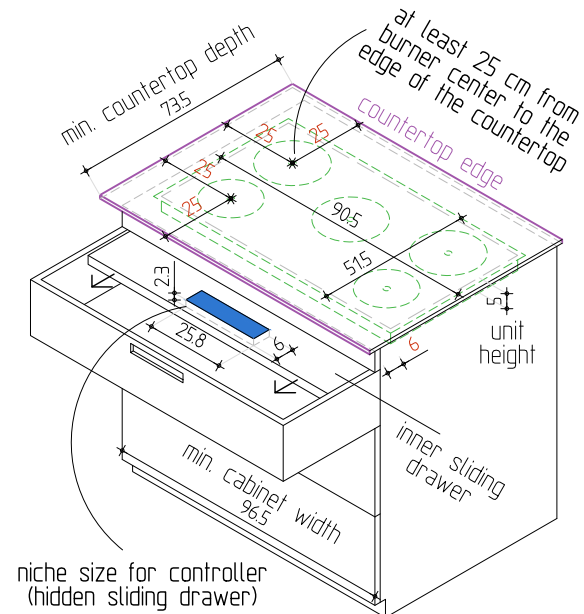
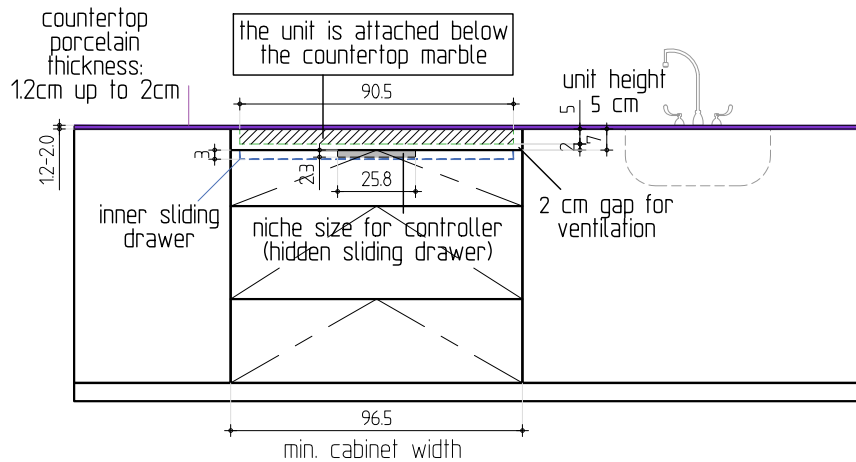


Invisacook 5 burner unit

top view (example)
5 burner unit



front view (example)
5 burner unit

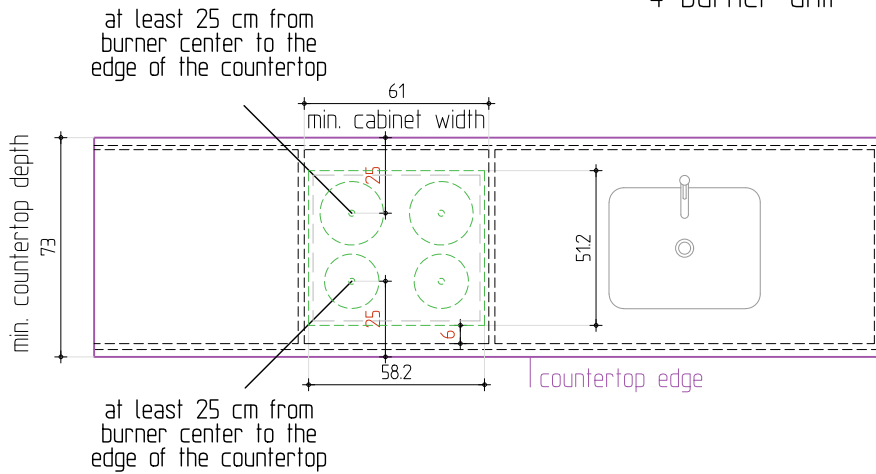


INVISACOOK

size	A3
scale	10.1, 25
	125

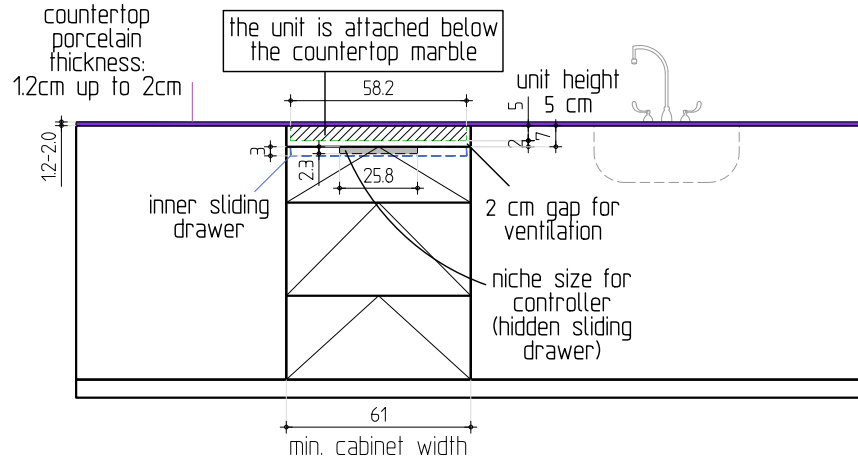
top view (example)

4 burner unit

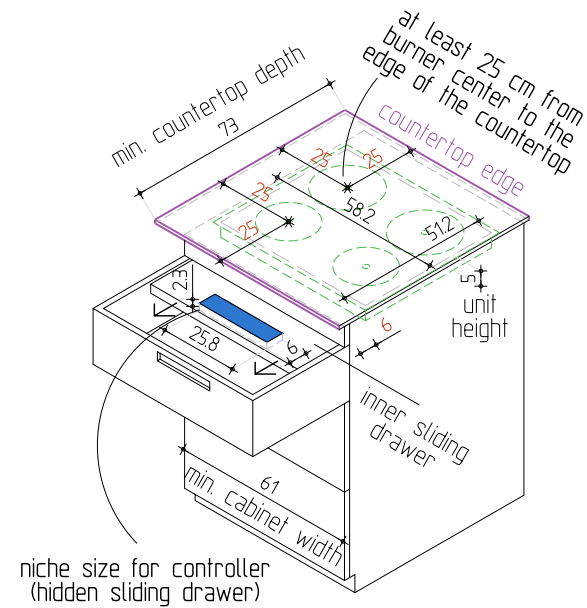
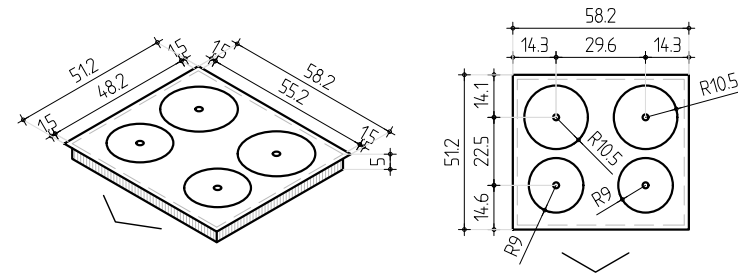


front view (example)

4 burner unit



Invisacook 4 burner unit

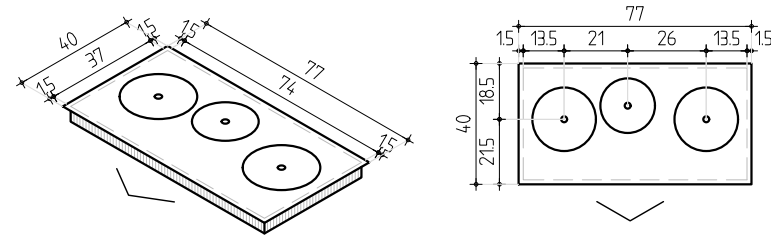
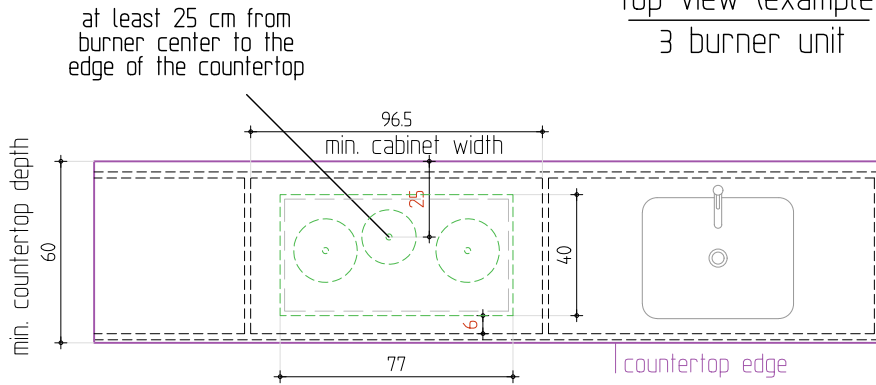


INVISACOOK

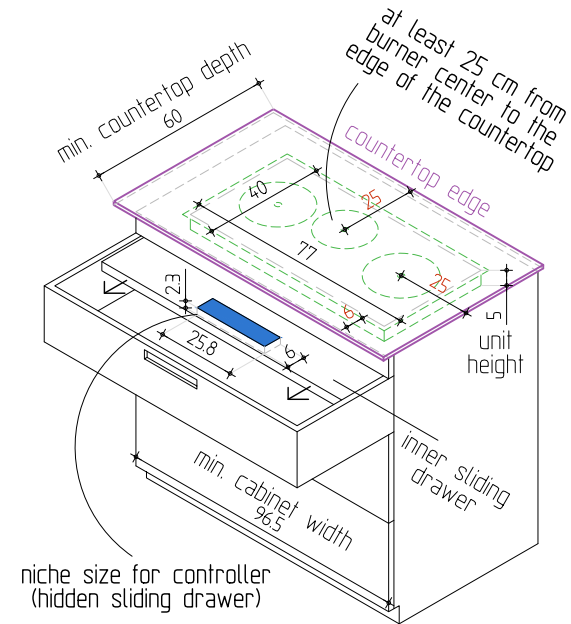
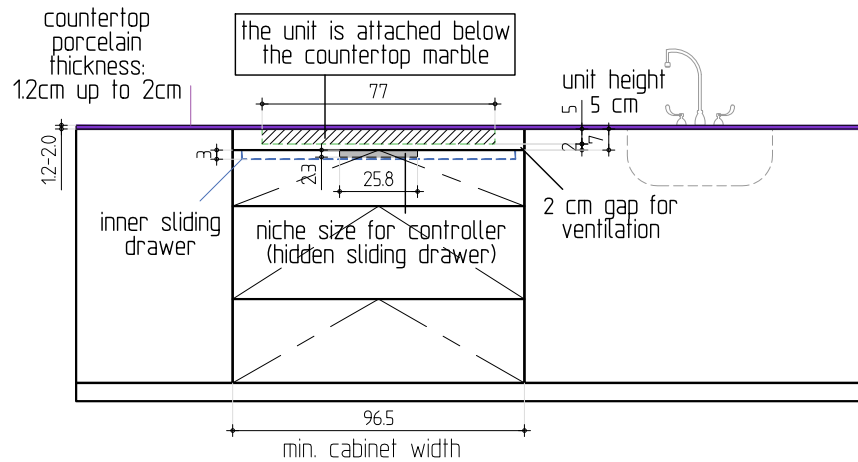
size	A3
scale	10.1,25
	125

Invisacook 3 burner unit

top view (example)
3 burner unit



front view (example)
3 burner unit

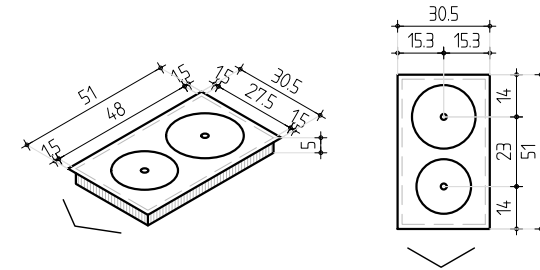
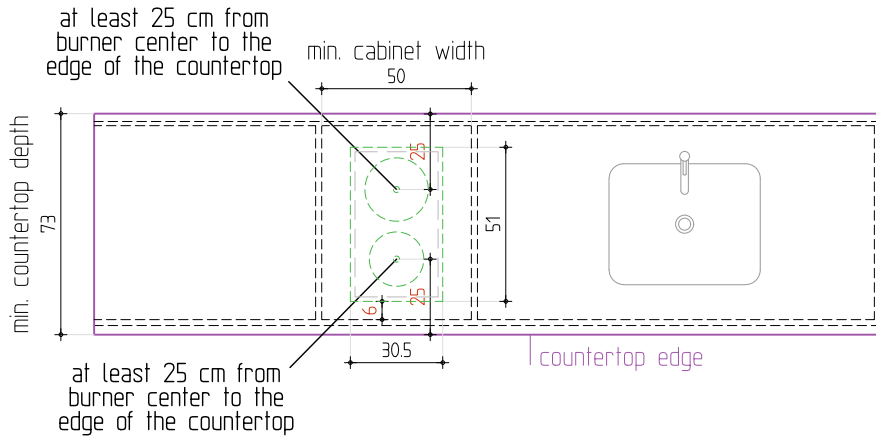


INVISACOOK

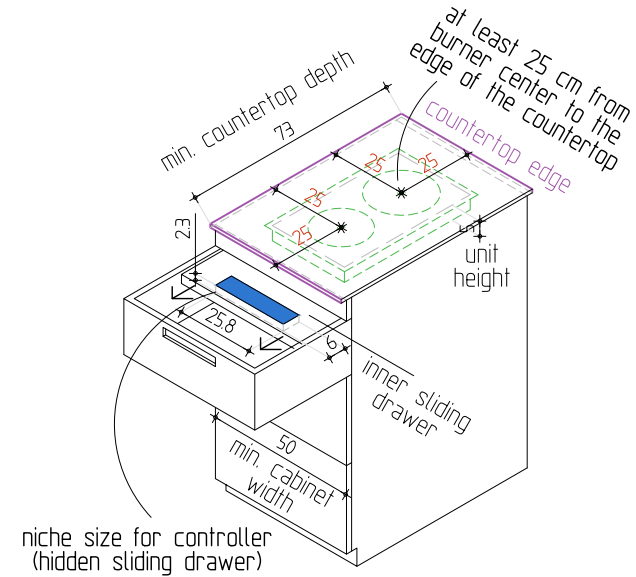
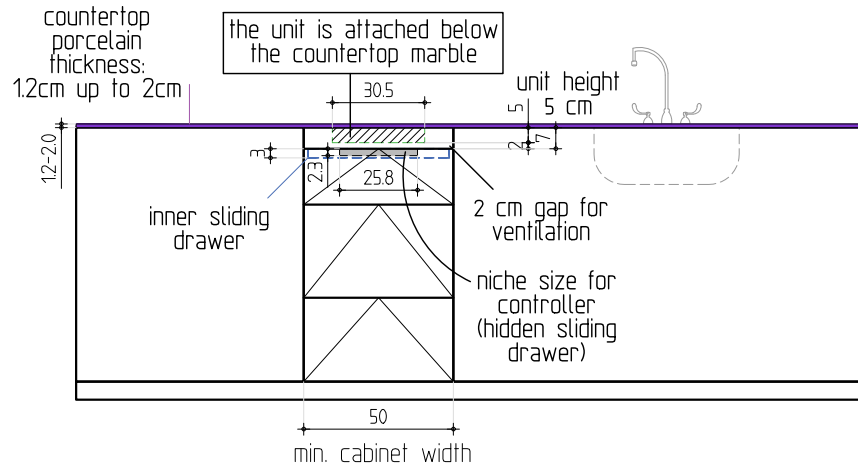
size	A3
scale	10.1, 25

Invisacook 2 burner unit

top view (example)
2 burner unit



front view (example)
2 burner unit



INVISACOOK

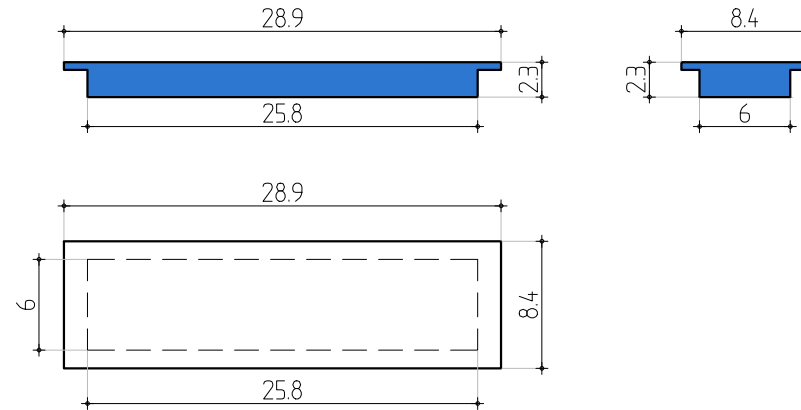
size	A3
scale	10.1, 25 125

controller installation

controller inside hidden sliding drawer



controller size
scale 1:5



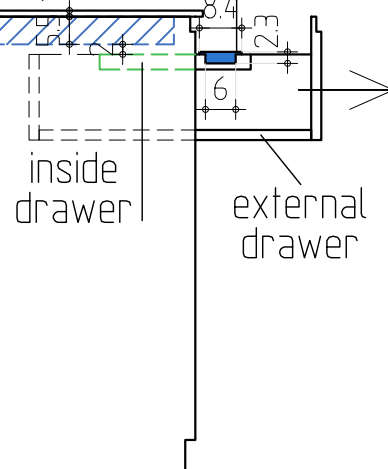
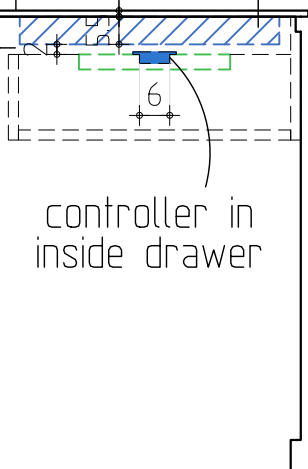
2 cm for ventilation

countertop marble

cooktop

cooktop

controller



inside drawer

cooktop

recommended
drawer height
at least 2.5 cm

